

Coil PICAS

Photonically Integrated Cold Atom Source

LASER 2000

Alignment-free 2D+ MOT Source

Compact opto-mechanics

Intended for use with Cold Atom Source Cell

Integrated heat sink

Available with Power Monitoring Photodiodes



CPPXXXAM25

Specifications

Minimum Laser Input Requirements	2x 20mW cooling and 0.4mW repumper for 2D MOT 1x 2mW cooling and 0.1mW repumper for Push Polarization aligned to fibre key (slow axis)
Optical Input	3x FC/APC fibre Inputs
Typical Atom Flux	$>10^9$ pre-cooled atoms per second
Mounting	Magnetic Coil Sub-Assembly and PICAS Coil Mount Assembly mounting compatibility (see datasheets on Coil PICAS web page)
Viewing Aperture	7mm square viewing aperture
Dimensions	101 x 130.70 x 113.40 mm
Weight	1.3kg

Description

The Infleqtion PICAS is a compact, alignment-free beam delivery package. It produces a 2D+ MOT beam configuration with three user-supplied fibre-coupled light inputs, capable of producing a cold atom flux of $>10^9$ atoms per second when used in conjunction with the Infleqtion CASC (Cold Atom Source Cell). The unit is easily integrated into experimental setups, allowing for a simple plug-and-play optical package.

LASER 2000

+44 (0) 1933 461 666 | sales@laser2000.co.uk | www.laser2000.co.uk

Laser 2000 (UK) Limited, Unit 9, Avro Court, Ermine Business Park, Huntingdon, Cambridgeshire, PE29 6XS, UK

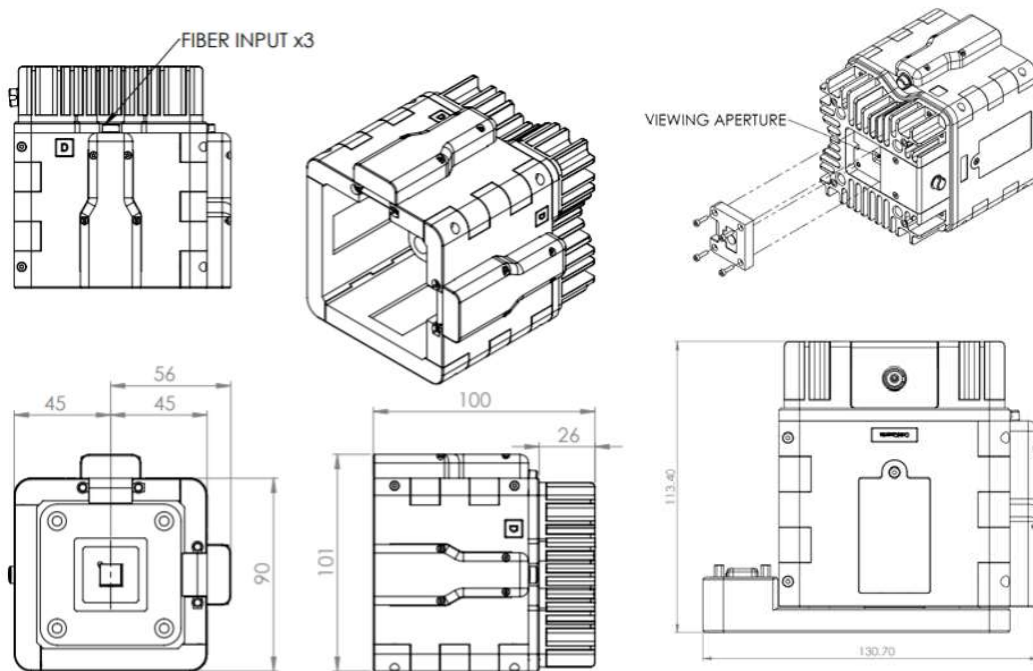
Coil PICAS

Photonically Integrated Cold Atom Source

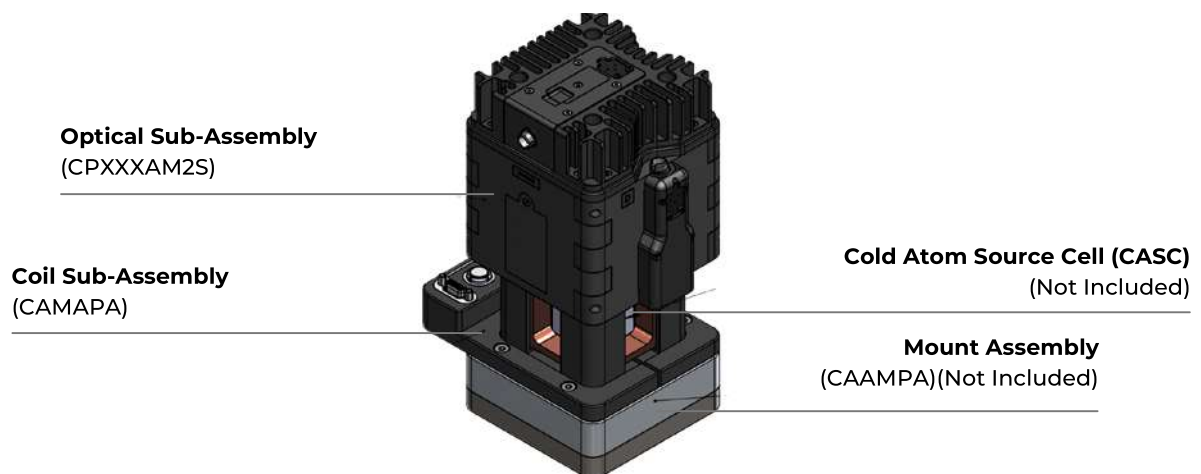
LASER 2000

Dimensions

All dimensions shown in millimeters - mm. Not to scale



Accompanying Products



LASER 2000

+44 (0) 1933 461 666

sales@laser2000.co.uk

www.laser2000.co.uk

Laser 2000 (UK) Limited, Unit 9, Avro Court, Ermine Business Park, Huntingdon, Cambridgeshire, PE29 6XS, UK