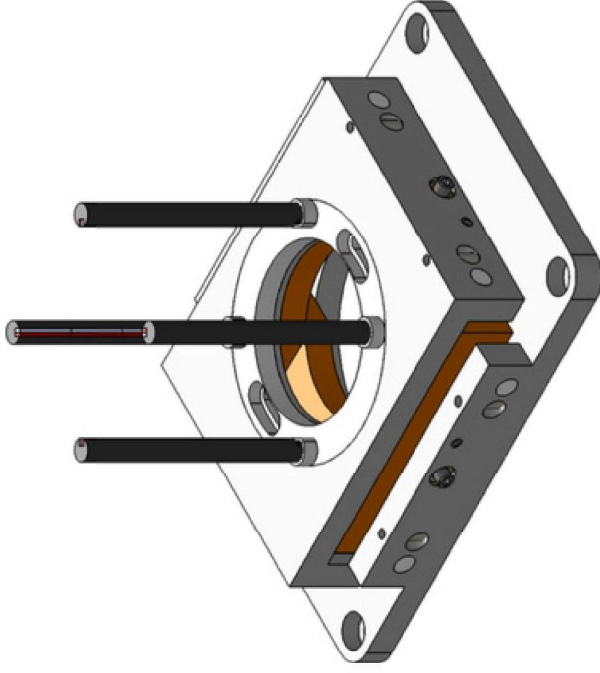
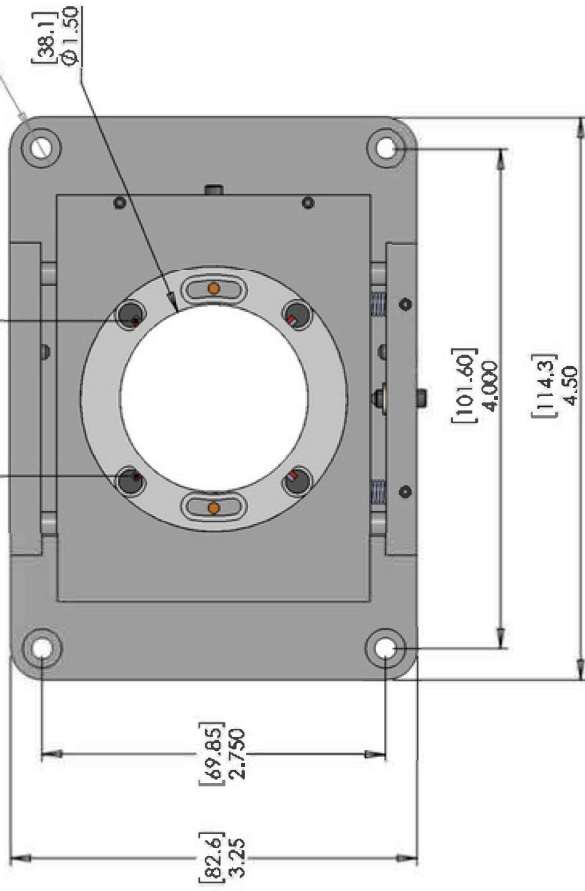


# LASER 2000

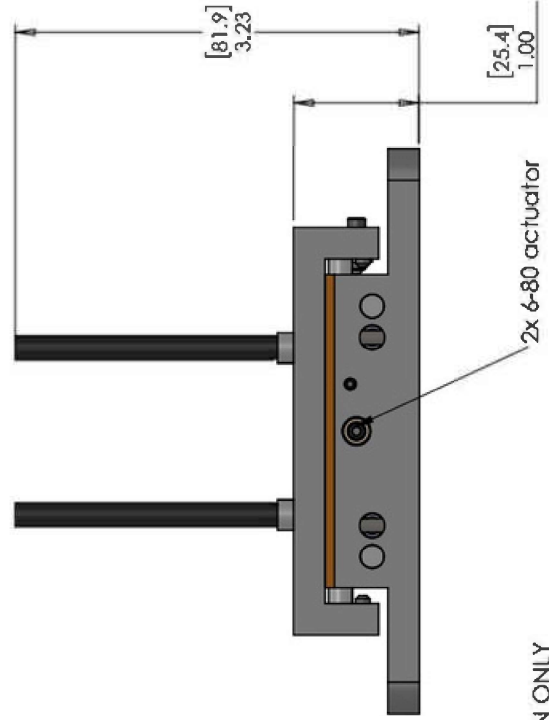
[31.5]  
1.24 SQ ON-CENTER MAGNET POSITION

4 x C-BORE for #8 Socket head cap screw



Typical magnetic field gradient: 30 G/cm  
Travel (X,Y): 0.25" (6.4 mm)

Compatible with:  
UAC-1000 - RuBECi ultracold matter cell  
UAC-2000 - Double MOT  
CASC-1640 - CASC interface adapter plate



FOR INFORMATION ONLY  
NOT FOR MANUFACTURING PURPOSES

DRAWING PROJECTION		DESCRIPTION	
DRAWN	E. Salim	4/18/2017	2D MOT magnet assembly
APPROVED	T. Boeringer	4/18/2017	PART NUMBER
SCALE: 2:3		DIMENSIONS IN: INCHES (MM)	
		MAG-2000	