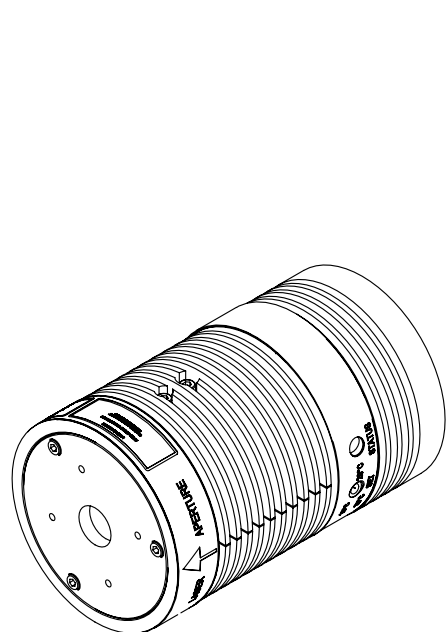
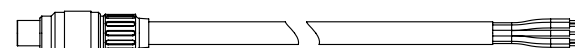
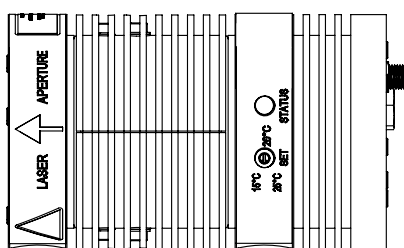
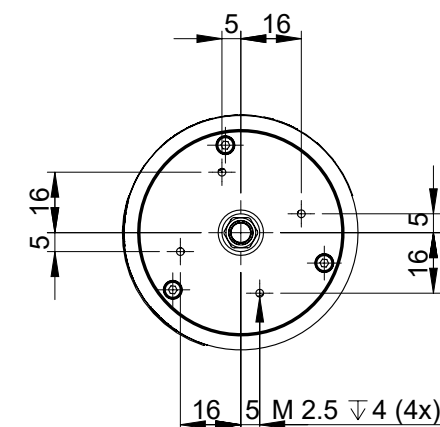
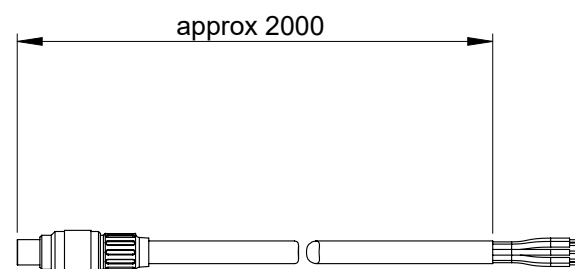
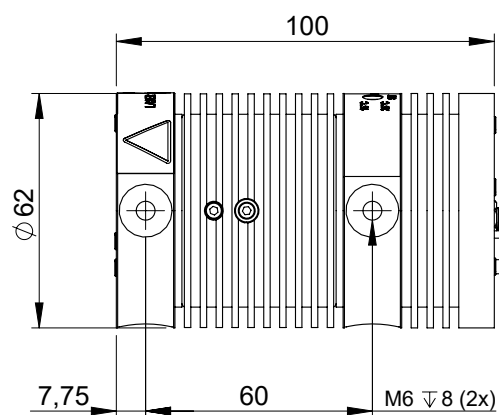
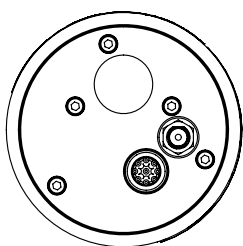
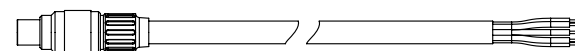
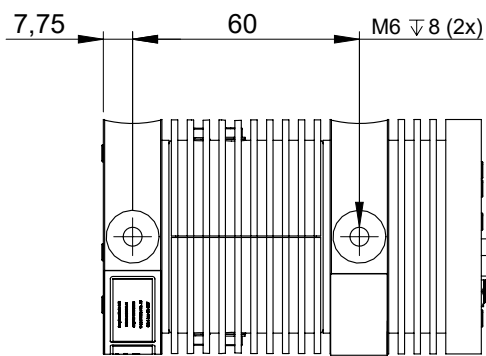


TYPE CPDL-M series	
Modell	Wavelength
913470	470 nm
913163	1063 nm
913640	635 nm
913405	405 nm
913510	515 nm
913485	485 nm
913850	850 nm
913377	375 nm
XXXXXX	XXXx nm
XXXXXX	XXXx nm



CPDL-M series		Dimension sheet		General Dimensions without tolerance indication		all dimensions [mm]		Scale: M 1:2		
Drawing Standard DIN 406		Name	Date	Last Update: 10.10.2018		Weight: 450.09 g				
		Edited	Schwarze	10.10.2018						
				The content of this drawing is the intellectual property of Picoquant and may not be copied or forwarded to third parties						
				 PICOQUANT Rudower Chaussee 29 D-12489 Berlin Tel: +49-30-1208820-0 Fax: +49-30-1208820-90 info@picoquant.com		Title: PQ.033.1000.0101.12_CPDL-M_MDS		Drawing Number: PQ.033.1000.0101.12		Sheet 2 / 2
				Supplier No: N.N.		Feedstock: N.N.		Size: A3		