

Rotation Stages

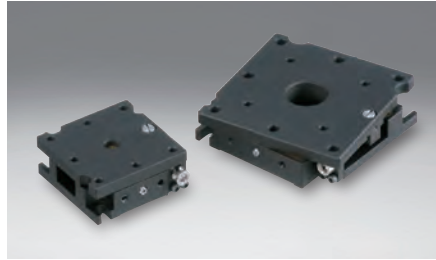
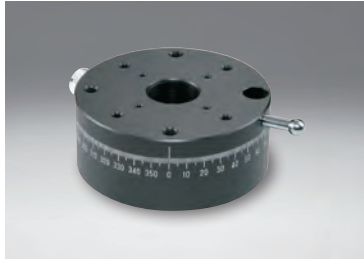
Rotation Stages with Square Top

KSC
KSSA

RoHS Catalog Code W7506
RoHS Catalog Code W7508

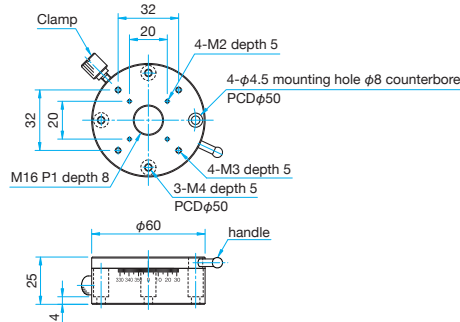
The KSC stage is Light weight, simple rotation stage. Manually positioned using handle with lock for securing position after adjustment.

The KSSA stages are fine rotation stages having a square table top. These stages are suitable for making minute angle adjustment in applications where a minimal footprint is desired.



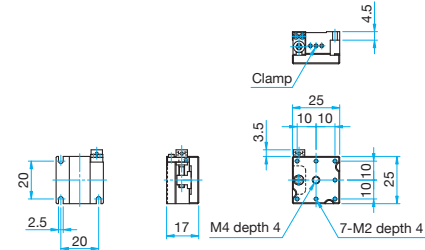
Outline Drawing

KSC-606 Hexagonal socket head cap screw M4x8...4 screws



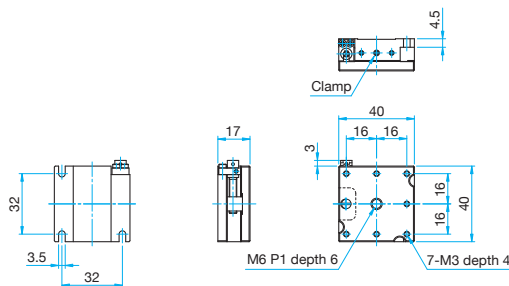
KSSA-256

Hexagonal socket head cap screw M2x8...3 screws,
One 3mm hex wrench with knob, One 0.89mm hex wrench
 Wrench size for adjustment 3mm, Wrench size for clamp 0.89mm



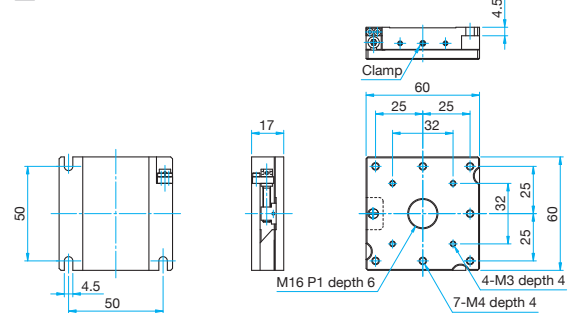
KSSA-406

Hexagonal socket head cap screw M3x8...3 screws,
One 3mm hex wrench with knob, One 1.5mm hex wrench
 Wrench size for adjustment 3mm, Wrench size for clamp 1.5mm



KSSA-606

Hexagonal socket head cap screw M4x8...3 screws,
One 3mm hex wrench with knob, One 1.5mm hex wrench
 Wrench size for adjustment 3mm, Wrench size for clamp 1.5mm



Specifications

Part Number	METRIC	KSC-606	KSSA-256	KSSA-406	KSSA-606
Stage Size [mm]		φ60	25×25	40×40	60×60
Rotation Range [°]		360	±3	±5	±7
Scale Readable Resolution		1°	—	—	—
Micrometer Readable Resolution [°]		—	about 3.18	about 1.92	about 1.47
Guide Method		Lapping method	Dovetail method		
Primary Material		Aluminum	Brass		
Finish		Black anodized	Super black chrome		
Load Capacity [N]		68.6 (7.0kgf)	29.4 (3.0kgf)	49.0 (5.0kgf)	68.6 (7.0kgf)
Max. Moment Capacity [N·m]		—	—	—	—
Moment Stiffness ["/N·cm]		1.5	2.0	1.5	1.0
Parallelism [μm]		50	50	50	50
Eccentricity [μm]		20	—	—	—
Wobble [μm]		20	—	—	—
Weight [kg]		0.19	0.09	0.23	0.5

* When using the M3 or M4 screws in the screw hole on the top surface of this stage, please use the screws within the length of the tap depth. There is a risk of damaging the sliding surface.

Application Systems

Optics & Optical Coatings

Opto-Mechanics

Bases

Manual Stages

Actuators & Adjusters

MotORIZED Stages

Light Sources & Laser Safety

Index

Guide

X Axis Stages

XY Axis Stages

Z Axis Stages

XZ Axis Stages

XYZ Axis Stages

Rotation Stages

Goniometer

Tilt Stages

Vacuum

Ball Bearing Guide

Crossed Roller

Dovetail

Lapping

V Groove Screw

Others

15 × 15 mm

25 × 25 mm

40 × 40 mm

60 × 60 mm

65 × 65 mm

80 × 80 mm

100 × 100 mm

120 × 120 mm

Others