

α Axis Goniometers $\alpha\beta$ Axis Goniometers

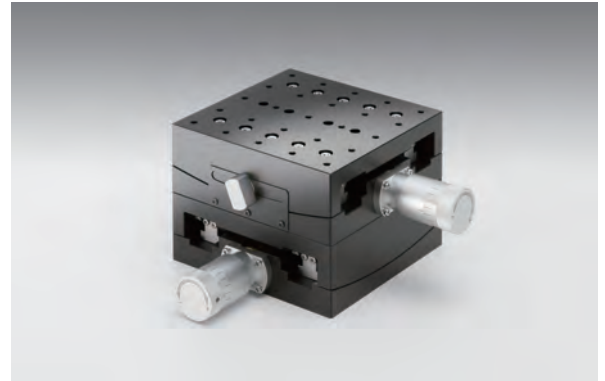
GOHTA-120A
GOHTA-120B

Stage Size 120 × 120 mm

RoHS
RoHS

Catalog Code W7139
Catalog Code W7140

The primary material is aluminum, but the ball guide type positioning slide offers high load capacity.



Guide

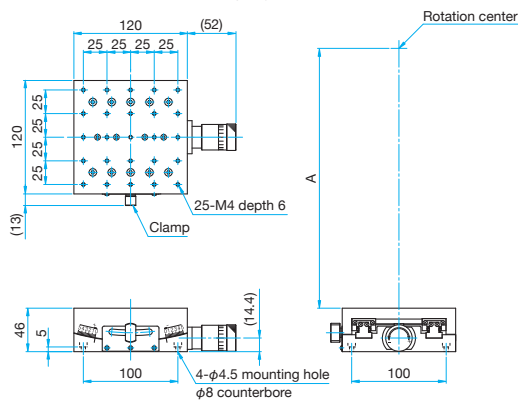
► Contact our Sales Division if you desire a rotation center height not listed in the catalog.



Outline Drawing

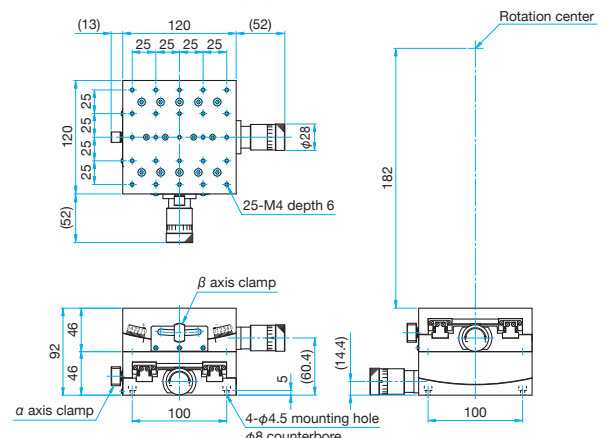
GOHTA-120A182/228

Hexagonal socket head cap screw M4×10...4 screws
Spring washer



GOHTA-120B182

Hexagonal socket head cap screw M4×10...4 screws
Spring washer



Part Number	A (mm)
GOHTA-120A182	182
GOHTA-120A228	228

Specifications

Part Number	METRIC	GOHTA-120A182	GOHTA-120A228	GOHTA-120B182
Stage Size [mm]		120×120	120×120	120×120
Axes of Travel		α axis		$\alpha\beta$ axis
Rotation Center Height [mm]		182	228	182
Angle Range [°]	(Upper) β axis	—	—	±5
	(Lower) α axis	±5	±5	±5
Vernier Readable Resolution		1'	1'	1'
Travel per Knob Rotation [°]	(Upper) β axis	—	—	about 0.33
	(Lower) α axis	about 0.33	about 0.33	about 0.33
Rotation Center Displacement [mm]		φ0.02 or loss	φ0.02 or loss	φ0.04 or loss
Guide Method		Extended contact ball bearing guide		
Primary Material		Aluminum		
Finish		Black anodized		
Load Capacity [N]		294 (30.0kgf)	294 (30.0kgf)	294 (30.0kgf)
Max. Moment Capacity	Pitch [N·m]	19.6	19.6	19.6
	Roll [N·m]	44.1	44.1	19.6
Moment Stiffness	Roll [°/N·cm]	0.02	0.02	—
Parallelism [μm]		100	100	200
Weight [kg]		2.2	2.2	4.4

Application Systems

Optics & Optical Coatings

Opto-Mechanics

Bases

Manual Stages

Actuators & Adjusters

MotORIZED Stages

Light Sources & Laser Safety

Index

Guide

X Axis Stages

XY Axis Stages

Z Axis Stages

XZ Axis Stages

XYZ Axis Stages

Rotation Stages

Goniometer

Tilt Stages

Vacuum

Ball Bearing Guide

Crossed Roller

Dovetail

Lapping

V Groove Screw

Others

15 × 15 mm

25 × 25 mm

40 × 40 mm

60 × 60 mm

65 × 65 mm

80 × 80 mm

100 × 100 mm

120mm

Others

α Axis Goniometers $\alpha\beta$ Axis Goniometers

GOHTA-120A
GOHTA-120B

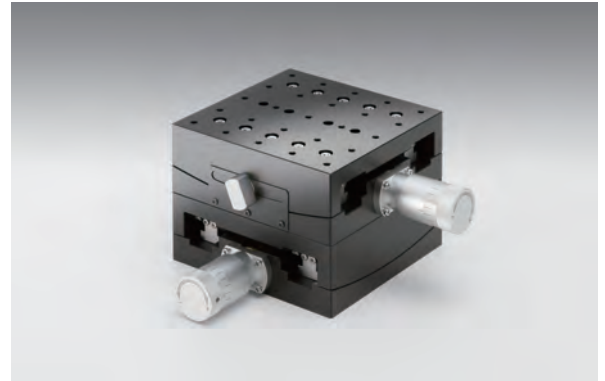
Stage Size 120 × 120 mm

RoHS
RoHS

Catalog Code W7139

Catalog Code W7140

The primary material is aluminum, but the ball guide type positioning slide offers high load capacity.



Guide

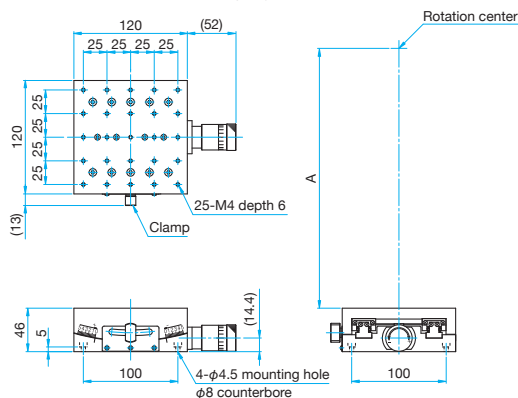
► Contact our Sales Division if you desire a rotation center height not listed in the catalog.



Outline Drawing

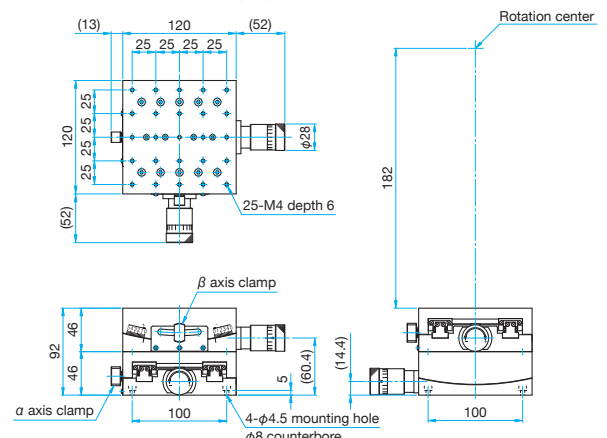
GOHTA-120A182/228

Hexagonal socket head cap screw M4×10...4 screws
Spring washer



GOHTA-120B182

Hexagonal socket head cap screw M4×10...4 screws
Spring washer



Part Number	A (mm)
GOHTA-120A182	182
GOHTA-120A228	228

Specifications

Part Number	METRIC	GOHTA-120A182	GOHTA-120A228	GOHTA-120B182
Stage Size [mm]		120×120	120×120	120×120
Axes of Travel		α axis		$\alpha\beta$ axis
Rotation Center Height [mm]		182	228	182
Angle Range [°]	(Upper) β axis	—	—	±5
	(Lower) α axis	±5	±5	±5
Vernier Readable Resolution		1'	1'	1'
Travel per Knob Rotation [°]	(Upper) β axis	—	—	about 0.33
	(Lower) α axis	about 0.33	about 0.33	about 0.33
Rotation Center Displacement [mm]		φ0.02 or loss	φ0.02 or loss	φ0.04 or loss
Guide Method		Extended contact ball bearing guide		
Primary Material		Aluminum		
Finish		Black anodized		
Load Capacity [N]		294 (30.0kgf)	294 (30.0kgf)	294 (30.0kgf)
Max. Moment Capacity	Pitch [N·m]	19.6	19.6	19.6
	Roll [N·m]	44.1	44.1	19.6
Moment Stiffness	Roll [°/N·cm]	0.02	0.02	—
Parallelism [μm]		100	100	200
Weight [kg]		2.2	2.2	4.4

Application Systems

Optics & Optical Coatings

Opto-Mechanics

Bases

Manual Stages

Actuators & Adjusters

MotORIZED Stages

Light Sources & Laser Safety

Index

Guide

X Axis Stages

XY Axis Stages

Z Axis Stages

XZ Axis Stages

XYZ Axis Stages

Rotation Stages

Goniometer

Tilt Stages

Vacuum

Ball Bearing Guide

Crossed Roller

Dovetail

Lapping

V Groove Screw

Others

15 × 15 mm

25 × 25 mm

40 × 40 mm

60 × 60 mm

65 × 65 mm

80 × 80 mm

100 × 100 mm

120mm

Others