

α axis Leadscrew Goniometers with V-Groove Guide

Stage Size 40 × 40 mm

GOHB-40A

RoHS

Catalog Code

W7102

Aluminum goniometers incorporating a V-groove guide and leadscrew drive for enhanced durability.



- Rotation center is larger than the conventional goniometers (GOH).

Guide

- ▶ Contact our Sales Division if you desire a rotation center height not listed in the catalog.

Attention

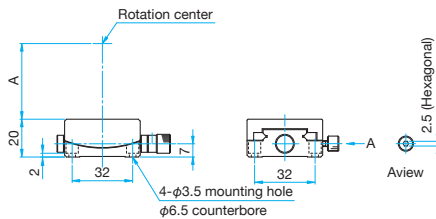
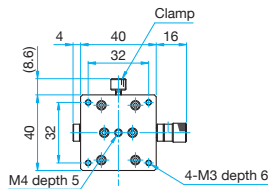
- ▶ The vernier scale is not attached.



Outline Drawing

GOHB-40A**

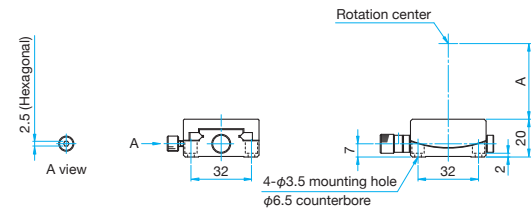
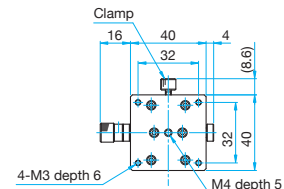
Hexagonal socket head cap screw M3×6...4 screws 2.5mm



Part Number	A (mm)
GOHB-40A40	40
GOHB-40A60	60
GOHB-40A100	100
GOHB-40A120	120

GOHB-40A**R

Hexagonal socket head cap screw M3×6...4 screws 2.5mm



Part Number	A (mm)
GOHB-40A40R	40
GOHB-40A60R	60
GOHB-40A100R	100
GOHB-40A120R	120

Specifications

Part Number	METRIC	GOHB-40A40	GOHB-40A60	GOHB-40A100	GOHB-40A120
(Opposite Model)	METRIC	GOHB-40A40R	GOHB-40A60R	GOHB-40A100R	GOHB-40A120R
Stage Size [mm]		40×40	40×40	40×40	40×40
Axes of Travel		α axis			
Rotation Center Height [mm]		40±0.1	60±0.1	100±0.1	120±0.1
Angle Range [°]		±8	±6	±4	±3
Travel per Knob Rotation [°]		about 0.54	about 0.39	about 0.25	about 0.22
Rotation Center Displacement [mm]		φ0.05 or less	φ0.05 or less	φ0.05 or less	φ0.05 or less
Guide Method		V groove method			
Primary Material		Brass			
Finish		Super black chrome			
Load Capacity [N]		39.2 (4.0kgf)	39.2 (4.0kgf)	39.2 (4.0kgf)	39.2 (4.0kgf)
Max. Moment Capacity	Pitch [N·m]	1.0	1.0	1.0	1.0
	Roll [N·m]	2.0	2.0	2.0	2.0
	Yaw [N·m]	2.0	2.0	2.0	2.0
Moment Stiffness	Pitch ["/N·cm]	0.5	0.5	0.5	0.5
	Roll ["/N·cm]	0.4	0.4	0.4	0.4
	Yaw ["/N·cm]	0.35	0.35	0.35	0.35
Weight [kg]		0.25	0.25	0.25	0.25

Application Systems

Optics & Optical Coatings

Opto-Mechanics

Bases

Manual Stages

Actuators & Adjusters

Motorized Stages

Light Sources & Laser Safety

Index

Guide

X Axis Stages

XY Axis Stages

Z Axis Stages

XZ Axis Stages

XYZ Axis Stages

Rotation Stages

Goniometer

Tilt Stages

Vacuum

Ball Bearing Guide

Crossed Roller

Dovetail

Lapping

V Groove Screw

Others

15 × 15 mm

25 × 25 mm

40 × 40 mm

60 × 60 mm

65 × 65 mm

80 × 80 mm

100 × 100 mm

120 × 120 mm

Others

Aluminum goniometers incorporating a V-groove guide and leadscrew drive for enhanced durability.



- Rotation center is larger than the conventional goniometers (GOH).

Guide

- ▶ Contact our Sales Division if you desire a rotation center height not listed in the catalog.

Attention

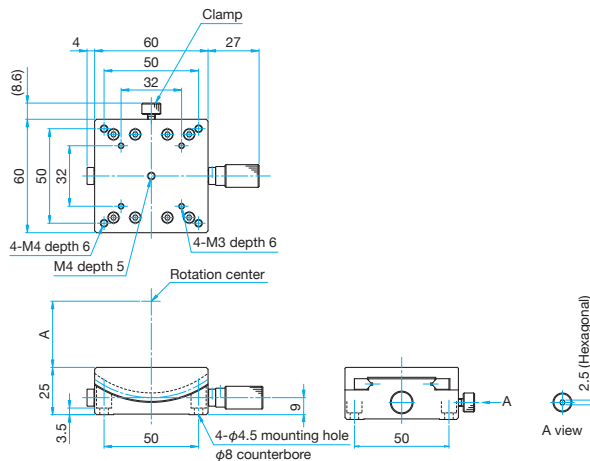
- ▶ The vernier scale is not attached.



Outline Drawing

GOHB-60A**

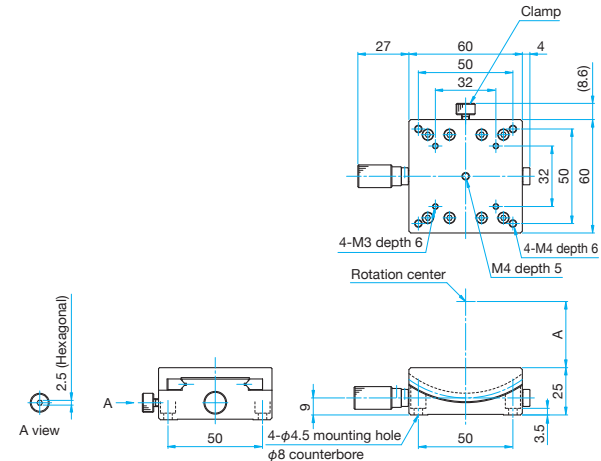
Hexagonal socket head cap screw M4×8...4 screws \varnothing 2.5mm



Part Number	A (mm)
GOHB-60A35	35
GOHB-60A50	50
GOHB-60A75	75
GOHB-60A100	100
GOHB-60A125	125

GOHB-60A**R

Hexagonal socket head cap screw M4×8...4 screws \varnothing 2.5mm



Part Number	A (mm)
GOHB-60A35R	35
GOHB-60A50R	50
GOHB-60A75R	75
GOHB-60A100R	100
GOHB-60A125R	125

Specifications

Part Number	METRIC	GOHB-60A35	GOHB-60A50	GOHB-60A75	GOHB-60A100	GOHB-60A125
(Opposite Model)	METRIC	GOHB-60A35R	GOHB-60A50R	GOHB-60A75R	GOHB-60A100R	GOHB-60A125R
Stage Size [mm]		60×60	60×60	60×60	60×60	60×60
Axes of Travel		α axis				
Rotation Center Height [mm]		35±0.1	50±0.1	75±0.1	100±0.1	125±0.1
Angle Range [°]		±11	±8	±6	±4.5	±4
Travel per Knob Rotation [°]		about 0.56	about 0.43	about 0.31	about 0.25	about 0.2
Rotation Center Displacement [mm]		φ0.05 or less	φ0.05 or less	φ0.05 or less	φ0.05 or less	φ0.05 or less
Guide Method		V groove method				
Primary Material		Brass				
Finish		Super black chrome				
Load Capacity [N]		58.8 (6.0kgf)	58.8 (6.0kgf)	58.8 (6.0kgf)	58.8 (6.0kgf)	58.8 (6.0kgf)
Max. Moment Capacity	Pitch [N·m]	2.0	2.0	2.0	2.0	2.0
	Roll [N·m]	3.0	3.0	3.0	3.0	3.0
	Yaw [N·m]	3.0	3.0	3.0	3.0	3.0
Moment Stiffness	Pitch [°/N·cm]	0.4	0.4	0.4	0.4	0.4
	Roll [°/N·cm]	0.3	0.3	0.3	0.3	0.3
	Yaw [°/N·cm]	0.2	0.2	0.2	0.2	0.2
Weight [kg]		0.65	0.65	0.65	0.65	0.65

Application Systems

Optics & Optical Coatings

Opto-Mechanics

Bases

Manual Stages

Actuators & Adjusters

MotORIZED Stages

Light Sources & Laser Safety

Index

Guide

X Axis Stages

XY Axis Stages

Z Axis Stages

XZ Axis Stages

XYZ Axis Stages

Rotation Stages

Goniometer

Tilt Stages

Vacuum

Ball Bearing Guide

Crossed Roller

Dovetail

Lapping

V Groove Screw

Ohters

15 × 15 mm

25 × 25 mm

40 × 40 mm

60 × 60 mm

65 × 65 mm

80 × 80 mm

100 × 100 mm

120 × 120 mm

Others