

# $\alpha$ Axis Goniometers

## $\alpha$ Axis Goniometers / $\alpha\beta$ Axis Goniometers

GOH-15A

Stage Size 15 × 15 mm

RoHS

GOH-25A/25B

Stage Size 25 × 25 mm

RoHS

Goniometers with dovetail slide and worm gear construction for angular adjustment of heavy loads.

- GOH-15A model : Smallest Goniometer available, exclusively from OptoSigma.
- GOH-25A model : Vernier scales for reading angular position. Locking mechanism clamps dovetail to minimize movement.



### Guide

- ▶ To operate the GOH-15A10, a 2.5mm hex wrench is required and is included with stage.

### Attention

- ▶ Due to size limitations, the GOH-15A10 does not include a scale or clamping mechanism.
- ▶ Locking mechanism is operated using thumbscrew on side of stage.

Application Systems

Optics &amp; Optical Coatings

Opto-Mechanics

Bases

Manual Stages

Actuators &amp; Adjusters

Motorized Stages

Light Sources &amp; Laser Safety

Index

Guide

X Axis Stages

XY Axis Stages

Z Axis Stages

XZ Axis Stages

XYZ Axis Stages

Rotation Stages

Goniometer

Tilt Stages

Vacuum

Ball Bearing Guide

Crossed Roller

Dovetail

Lapping

V Groove Screw

Others

15 × 15 mm

25 × 25 mm

40 × 40 mm

60 × 60 mm

65 × 65 mm

80 × 80 mm

100 × 100 mm

120 × 120 mm

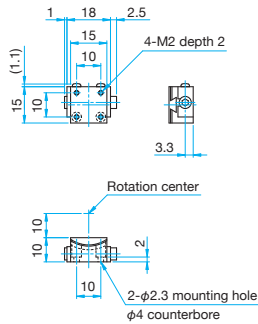
Others

| Specifications                    |                       |                       |               |               |               |                    |               |
|-----------------------------------|-----------------------|-----------------------|---------------|---------------|---------------|--------------------|---------------|
| Part Number                       | METRIC                | GOH-15A10             | GOH-25A18     | GOH-25A30     | GOH-25A40     | GOH-25B18          | GOH-25B30     |
| (Opposite Model)                  | METRIC                | —                     | GOH-25A18R    | GOH-25A30R    | GOH-25A40R    | GOH-25B18R         | GOH-25B30R    |
| Stage Size [mm]                   |                       | 15×15                 | 25×25         | 25×25         | 25×25         | 25×25              | 25×25         |
| Axes of Travel                    |                       | $\alpha$ axis         |               |               |               | $\alpha\beta$ axis |               |
| Rotation Center Height [mm]       |                       | 10±0.1                | 18±0.1        | 30±0.1        | 40±0.1        | 18±0.1             | 30±0.1        |
| Angle Range [ ° ]                 | (Upper) $\beta$ axis  | —                     | —             | —             | —             | ±20                | ±15           |
|                                   | (Lower) $\alpha$ axis | ±20                   | ±20           | ±15           | ±10           | ±15                | ±10           |
| Vernier Readable Resolution       |                       | —                     | 12'           | 12'           | 12'           | 12'                | 12'           |
| Travel per Knob Rotation [ ° ]    | (Upper) $\beta$ axis  | —                     | —             | —             | —             | about 3.1          | about 2.17    |
|                                   | (Lower) $\alpha$ axis | about 5               | about 3.1     | about 2.17    | about 1.67    | about 2.17         | about 1.67    |
| Rotation Center Displacement [mm] |                       | φ0.1 or less          | φ0.1 or less  | φ0.1 or less  | φ0.1 or less  | φ0.1 or less       | φ0.1 or less  |
| Guide Method                      |                       | Dovetail slide method |               |               |               |                    |               |
| Primary Material                  |                       | Brass                 |               |               |               |                    |               |
| Finish                            |                       | Super black chrome    |               |               |               |                    |               |
| Load Capacity [N]                 |                       | 9.8 (1.0kgf)          | 19.6 (2.0kgf) | 19.6 (2.0kgf) | 19.6 (2.0kgf) | 19.6 (2.0kgf)      | 19.6 (2.0kgf) |
| Max. Moment Capacity              | Pitch [N·m]           | 0.03                  | 0.35          | 0.35          | 0.35          | 0.35               | 0.35          |
|                                   | Roll [N·m]            | 0.05                  | 0.4           | 0.4           | 0.4           | 0.35               | 0.35          |
| Moment Stiffness                  | Roll [°/N·cm]         | —                     | 1.0           | 1.0           | 1.0           | —                  | —             |
| Parallelism [μm]                  |                       | 50                    | 50            | 50            | 50            | 100                | 100           |
| Weight [kg]                       |                       | 0.02                  | 0.07          | 0.06          | 0.06          | 0.13               | 0.12          |

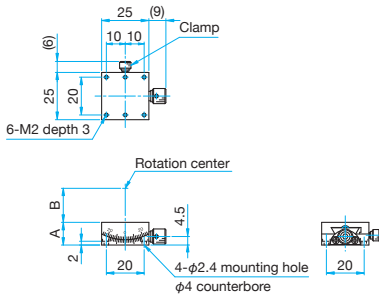


Outline Drawing

**GOH-15A10** Pan head screw M2x5...2 screws 2.5mm

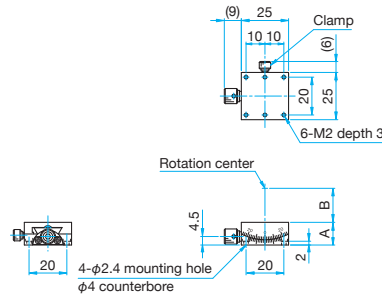


**GOH-25A\*\*** Pan head screw M2x4...4 screws 2.5mm



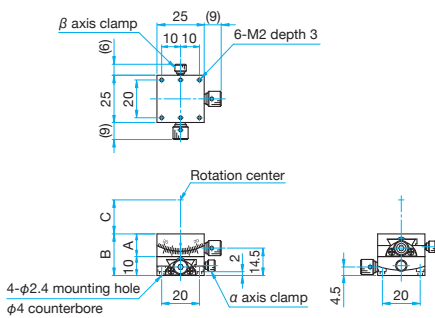
| Part Number | A (mm) | B (mm) |
|-------------|--------|--------|
| GOH-25A18   | 12     | 18     |
| GOH-25A30   | 10     | 30     |
| GOH-25A40   | 10     | 40     |

**GOH-25A\*\*R** Pan head screw M2x4...4 screws 2.5mm



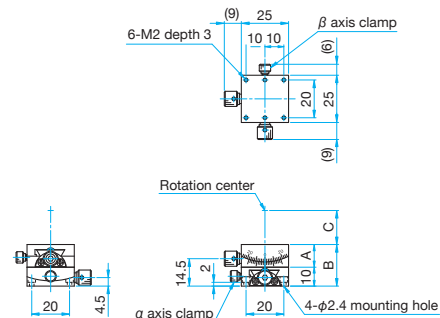
| Part Number | A (mm) | B (mm) |
|-------------|--------|--------|
| GOH-25A18R  | 12     | 18     |
| GOH-25A30R  | 10     | 30     |
| GOH-25A40R  | 10     | 40     |

**GOH-25B\*\*** Pan head screw M2x4...4 screws



| Part Number | A (mm) | B (mm) | C (mm) |
|-------------|--------|--------|--------|
| GOH-25B18   | 12     | 22     | 18     |
| GOH-25B30   | 10     | 20     | 30     |

**GOH-25B\*\*R** Pan head screw M2x4...4 screws



| Part Number | A (mm) | B (mm) | C (mm) |
|-------------|--------|--------|--------|
| GOH-25B18R  | 12     | 22     | 18     |
| GOH-25B30R  | 10     | 20     | 30     |

Application Systems

Optics & Optical Coatings

Opto-Mechanics

Bases

Manual Stages

Actuators & Adjusters

Motoeized Stages

Light Sources & Laser Safety

Index

Guide

X Axis Stages

XY Axis Stages

Z Axis Stages

XZ Axis Stages

XYZ Axis Stages

Rotation Stages

Goniometer

Tilt Stages

Vacuum

Ball Bearing Guide

Crossed Roller

Dovetail

Lapping

V Groove Screw

Ohters

15 × 15 mm

25 × 25 mm

40 × 40 mm

60 × 60 mm

65 × 65 mm

80 × 80 mm

100 × 100 mm

120 × 120 mm

Others

# $\alpha$ Axis Goniometers $\alpha\beta$ Axis Goniometers

GOH-40A Stage Size 40 × 40 mm  
GOH-40B

RoHS  
RoHS

Goniometers with dovetail slide and worm gear construction for angular adjustment of heavy loads.

- Vernier scales for reading angular position.
- Locking mechanism clamps dovetail to minimize movement.



## Guide

► Vacuum-compatible stainless steel stages (GOHS-40A/40B) are also available.

GOHS-40A ( $\alpha$  axis) [Reference](#) E221 [Catalog Code](#) W7099

GOHS-40B ( $\alpha\beta$  axis) [Reference](#) E221 [Catalog Code](#) W7107

## Attention

► Locking mechanism is operated using thumbscrew on side of stage.

Application Systems

Optics & Optical Coatings

Opto-Mechanics

Bases

Manual Stages

Actuators & Adjusters

MotORIZED Stages

Light Sources & Laser Safety

Index

Guide

X Axis Stages

XY Axis Stages

Z Axis Stages

XZ Axis Stages

XYZ Axis Stages

Rotation Stages

Goniometer

Tilt Stages

Vacuum

Ball Bearing Guide

Crossed Roller

Dovetail

Lapping

V Groove Screw

Others

15 × 15 mm

25 × 25 mm

40 × 40 mm

60 × 60 mm

65 × 65 mm

80 × 80 mm

100 × 100 mm

120 × 120 mm

Others

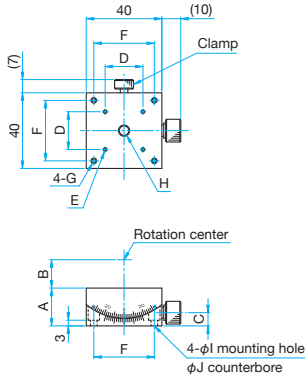
| Specifications                    |                       |                       |               |               |                    |               |
|-----------------------------------|-----------------------|-----------------------|---------------|---------------|--------------------|---------------|
| Part Number                       | METRIC                | GOH-40A15             | GOH-40A35     | GOH-40A51     | GOH-40B15          | GOH-40B35     |
|                                   | INCH                  | GOH-40A15UU           | GOH-40A35UU   | GOH-40A51UU   | GOH-40B15UU        | GOH-40B35UU   |
| (Opposite Model)                  | METRIC                | GOH-40A15R            | GOH-40A35R    | GOH-40A51R    | GOH-40B15R         | GOH-40B35R    |
|                                   | INCH                  | GOH-40A15RUU          | GOH-40A35RUU  | GOH-40A51RUU  | GOH-40B15RUU       | GOH-40B35RUU  |
| Stage Size [mm]                   |                       | 40×40                 | 40×40         | 40×40         | 40×40              | 40×40         |
| Axes of Travel                    |                       | $\alpha$ axis         |               |               | $\alpha\beta$ axis |               |
| Rotation Center Height [mm]       |                       | 15±0.1                | 35±0.1        | 51±0.1        | 15±0.1             | 35±0.1        |
| Angle Range [ ° ]                 | (Upper) $\beta$ axis  | —                     | —             | —             | ±20                | ±20           |
|                                   | (Lower) $\alpha$ axis | ±20                   | ±20           | ±15           | ±20                | ±15           |
| Vernier Readable Resolution       |                       | 12'                   | 12'           | 12'           | 12'                | 12'           |
| Travel per Knob Rotation [ ° ]    | (Upper) $\beta$ axis  | —                     | —             | —             | about 2.83         | about 1.74    |
|                                   | (Lower) $\alpha$ axis | about 2.83            | about 1.74    | about 1.27    | about 1.74         | about 1.27    |
| Rotation Center Displacement [mm] |                       | φ0.1 or less          | φ0.1 or less  | φ0.1 or less  | φ0.1 or less       | φ0.1 or less  |
| Guide Method                      |                       | Dovetail slide method |               |               |                    |               |
| Primary Material                  |                       | Brass                 |               |               |                    |               |
| Finish                            |                       | Super black chrome    |               |               |                    |               |
| Load Capacity [N]                 |                       | 68.7 (7.0kgf)         | 68.7 (7.0kgf) | 68.7 (7.0kgf) | 68.7 (7.0kgf)      | 68.7 (7.0kgf) |
| Max. Moment Capacity              | Pitch [N·m]           | 0.9                   | 0.9           | 0.9           | 0.9                | 0.9           |
|                                   | Roll [N·m]            | 1.2                   | 1.2           | 1.2           | 0.9                | 0.9           |
| Moment Stiffness                  | Roll [°/N·cm]         | 0.51                  | 0.51          | 0.51          | —                  | —             |
| Parallelism [μm]                  |                       | 50                    | 50            | 50            | 100                | 100           |
| Weight [kg]                       |                       | 0.25                  | 0.20          | 0.18          | 0.45               | 0.38          |



Outline Drawing

**GOH-40A\*\*/GOH-40A\*\*UU**

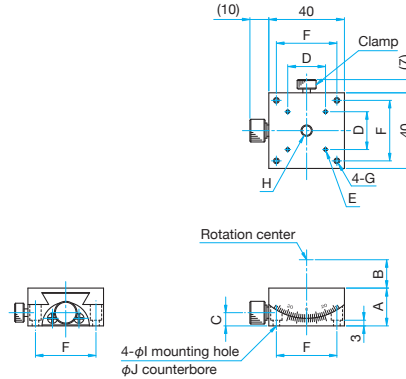
Pan head screw M3x6...4 screws  
 Pan head screw 6-32UNCx5/16...4 screws, Custom head ( $\phi 6 \times H2$ ) (UU) 2.5mm



| Part Number | A (mm) | B (mm) | C (mm) | D (mm) | E            | F (mm) | G               | H                 | I (mm)     | J (mm)     |
|-------------|--------|--------|--------|--------|--------------|--------|-----------------|-------------------|------------|------------|
| GOH-40A15   | 20     | 15     | 7      | 20     | 4-M2 depth 3 | 32     | M3 depth 5      | M6 P1 depth 6     | $\phi 3.5$ | $\phi 6$   |
| GOH-40A35   | 16     | 35     | 7      | 20     | 4-M2 depth 3 | 32     | M3 depth 5      | M4 depth 4        | $\phi 3.5$ | $\phi 6$   |
| GOH-40A51   | 15     | 51     | 6.5    | 20     | 4-M2 depth 3 | 32     | M3 depth 5      | M4 depth 4        | $\phi 3.5$ | $\phi 6$   |
| GOH-40A15UU | 20     | 15     | 7      |        |              | 31.75  | 6-32UNC depth 5 | 1/4-20UNC depth 6 | $\phi 4$   | $\phi 6.5$ |
| GOH-40A35UU | 16     | 35     | 7      |        |              | 31.75  | 6-32UNC depth 5 | 8-32UNC depth 4   | $\phi 4$   | $\phi 6.5$ |
| GOH-40A51UU | 15     | 51     | 6.5    |        |              | 31.75  | 6-32UNC depth 5 | 8-32UNC depth 4   | $\phi 4$   | $\phi 6.5$ |

**GOH-40A\*\*R/GOH-40A\*\*RUU**

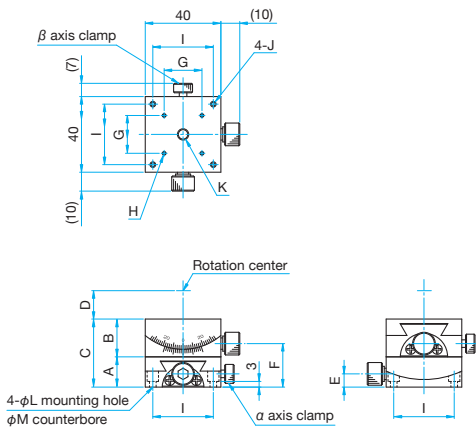
Pan head screw M3x6...4 screws  
 Pan head screw 6-32UNCx5/16...4 screws, Custom head ( $\phi 6 \times H2$ ) (UU) 2.5mm



| Part Number  | A (mm) | B (mm) | C (mm) | D (mm) | E            | F (mm) | G               | H                 | I (mm)     | J (mm)     |
|--------------|--------|--------|--------|--------|--------------|--------|-----------------|-------------------|------------|------------|
| GOH-40A15R   | 20     | 15     | 7      | 20     | 4-M2 depth 3 | 32     | M3 depth 5      | M6 P1 depth 6     | $\phi 3.5$ | $\phi 6$   |
| GOH-40A35R   | 16     | 35     | 7      | 20     | 4-M2 depth 3 | 32     | M3 depth 5      | M4 depth 4        | $\phi 3.5$ | $\phi 6$   |
| GOH-40A51R   | 15     | 51     | 6.5    | 20     | 4-M2 depth 3 | 32     | M3 depth 5      | M4 depth 4        | $\phi 3.5$ | $\phi 6$   |
| GOH-40A15RUU | 20     | 15     | 7      |        |              | 31.75  | 6-32UNC depth 5 | 1/4-20UNC depth 6 | $\phi 4$   | $\phi 6.5$ |
| GOH-40A35RUU | 16     | 35     | 7      |        |              | 31.75  | 6-32UNC depth 5 | 8-32UNC depth 4   | $\phi 4$   | $\phi 6.5$ |
| GOH-40A51RUU | 15     | 51     | 6.5    |        |              | 31.75  | 6-32UNC depth 5 | 8-32UNC depth 4   | $\phi 4$   | $\phi 6.5$ |

**GOH-40B\*\*/GOH-40B\*\*UU**

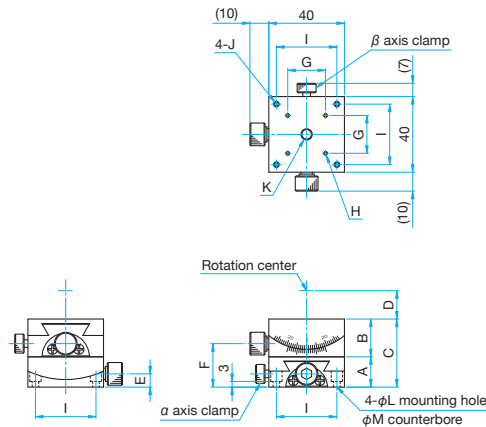
Pan head screw M3x6...4 screws  
 Pan head screw 6-32UNCx5/16...4 screws, Custom head ( $\phi 6 \times H2$ ) (UU) 2.5mm



| Part Number | A (mm) | B (mm) | C (mm) | D (mm) | E (mm) | F (mm) | G (mm) | H            | I (mm) | J               | K                 | L (mm)     | M (mm)     |
|-------------|--------|--------|--------|--------|--------|--------|--------|--------------|--------|-----------------|-------------------|------------|------------|
| GOH-40B15   | 16     | 20     | 36     | 15     | 7      | 23     | 20     | 4-M2 depth 3 | 32     | M3 depth 5      | M6 P1 depth 6     | $\phi 3.5$ | $\phi 6$   |
| GOH-40B35   | 15     | 16     | 31     | 35     | 6.5    | 22     | 20     | 4-M2 depth 3 | 32     | M3 depth 5      | M4 depth 4        | $\phi 3.5$ | $\phi 6$   |
| GOH-40B15UU | 16     | 20     | 36     | 15     | 7      | 23     |        |              | 31.75  | 6-32UNC depth 5 | 1/4-20UNC depth 6 | $\phi 4$   | $\phi 6.5$ |
| GOH-40B35UU | 15     | 16     | 31     | 35     | 6.5    | 22     |        |              | 31.75  | 6-32UNC depth 5 | 8-32UNC depth 4   | $\phi 4$   | $\phi 6.5$ |

**GOH-40B\*\*R/GOH-40B\*\*RUU**

Pan head screw M3x6...4 screws  
 Pan head screw 6-32UNCx5/16...4 screws, Custom head ( $\phi 6 \times H2$ ) (UU) 2.5mm



| Part Number  | A (mm) | B (mm) | C (mm) | D (mm) | E (mm) | F (mm) | G (mm) | H            | I (mm) | J               | K                 | L (mm)     | M (mm)     |
|--------------|--------|--------|--------|--------|--------|--------|--------|--------------|--------|-----------------|-------------------|------------|------------|
| GOH-40B15R   | 16     | 20     | 36     | 15     | 7      | 23     | 20     | 4-M2 depth 3 | 32     | M3 depth 5      | M6 P1 depth 6     | $\phi 3.5$ | $\phi 6$   |
| GOH-40B35R   | 15     | 16     | 31     | 35     | 6.5    | 22     | 20     | 4-M2 depth 3 | 32     | M3 depth 5      | M4 depth 4        | $\phi 3.5$ | $\phi 6$   |
| GOH-40B15RUU | 16     | 20     | 36     | 15     | 7      | 23     |        |              | 31.75  | 6-32UNC depth 5 | 1/4-20UNC depth 6 | $\phi 4$   | $\phi 6.5$ |
| GOH-40B35RUU | 15     | 16     | 31     | 35     | 6.5    | 22     |        |              | 31.75  | 6-32UNC depth 5 | 8-32UNC depth 4   | $\phi 4$   | $\phi 6.5$ |

Application Systems

Optics & Optical Coatings

Opto-Mechanics

Bases

Manual Stages

Actuators & Adjusters

MotORIZED Stages

Light Sources & Laser Safety

Index

Guide

X Axis Stages

XY Axis Stages

Z Axis Stages

XZ Axis Stages

XYZ Axis Stages

Rotation Stages

Goniometer

Tilt Stages

Vacuum

Ball Bearing Guide

Crossed Roller

Dovetail

Lapping

V Groove Screw

Others

15 × 15 mm

25 × 25 mm

40 × 40 mm

60 × 60 mm

65 × 65 mm

80 × 80 mm

100 × 100 mm

120 × 120 mm

Others

# $\alpha$ Axis Goniometers $\beta$ Axis Goniometers

GOH-60A Stage Size 60 × 60 mm  
GOH-60B

RoHS  
RoHS

Goniometers with dovetail slide and worm gear construction for angular adjustment of heavy loads.

- Vernier scales for reading angular position.
- Locking mechanism clamps dovetail to minimize movement.



### Attention

- ▶ Locking mechanism is operated using thumbscrew on side of stage.

Application Systems  
Optics & Optical Coatings  
Opto-Mechanics  
Bases

## Manual Stages

Actuators & Adjusters

MotORIZED Stages

Light Sources & Laser Safety

Index

Guide

X Axis Stages

XY Axis Stages

Z Axis Stages

XZ Axis Stages

XYZ Axis Stages

Rotation Stages

Goniometer

Tilt Stages

Vacuum

Ball Bearing Guide

Crossed Roller

Dovetail

Lapping

V Groove Screw

Others

15 × 15 mm

25 × 25 mm

40 × 40 mm

60 × 60 mm

65 × 65 mm

80 × 80 mm

100 × 100 mm

120 × 120 mm

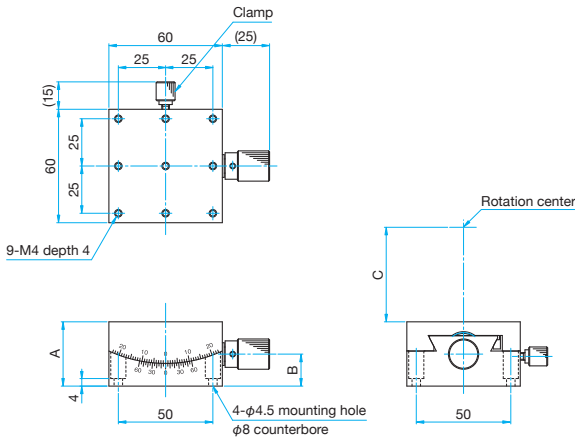
Others

| Specifications                    |                       |                       |              |              |              |              |
|-----------------------------------|-----------------------|-----------------------|--------------|--------------|--------------|--------------|
| Part Number                       | METRIC                | GOH-60A50             | GOH-60A84    | GOH-60A115   | GOH-60B50    | GOH-60B84    |
| (Opposite Model)                  | METRIC                | GOH-60A50R            | GOH-60A84R   | GOH-60A115R  | GOH-60B50R   | GOH-60B84R   |
| Stage Size [mm]                   |                       | 60×60                 | 60×60        | 60×60        | 60×60        | 60×60        |
| Axes of Travel                    |                       | $\alpha$ axis         |              |              | $\beta$ axis |              |
| Rotation Center Height [mm]       |                       | 50±0.1                | 84±0.1       | 115±0.1      | 50±0.1       | 84±0.1       |
| Angle Range [ ° ]                 | (Upper) $\beta$ axis  | —                     | —            | —            | ±20          | ±15          |
|                                   | (Lower) $\alpha$ axis | ±20                   | ±15          | ±10          | ±15          | ±10          |
| Vernier Readable Resolution       |                       | 5'                    | 5'           | 5'           | 5'           | 5'           |
| Travel per Knob Rotation [ ° ]    | (Upper) $\beta$ axis  | —                     | —            | —            | about 1.14   | about 0.76   |
|                                   | (Lower) $\alpha$ axis | about 1.14            | about 0.76   | about 0.58   | about 0.76   | about 0.58   |
| Rotation Center Displacement [mm] |                       | φ0.1 or less          | φ0.1 or less | φ0.1 or less | φ0.1 or less | φ0.1 or less |
| Guide Method                      |                       | Dovetail slide method |              |              |              |              |
| Primary Material                  |                       | Brass                 |              |              |              |              |
| Finish                            |                       | Super black chrome    |              |              |              |              |
| Load Capacity [N]                 |                       | 98 (10.0kgf)          | 98 (10.0kgf) | 98 (10.0kgf) | 98 (10.0kgf) | 98 (10.0kgf) |
| Max. Moment Capacity              | Pitch [N·m]           | 1.6                   | 1.6          | 1.6          | 1.6          | 1.6          |
|                                   | Roll [N·m]            | 2.2                   | 2.2          | 2.2          | 1.6          | 1.6          |
| Moment Stiffness                  | Roll [°/N·cm]         | 0.3                   | 0.3          | 0.3          | —            | —            |
| Parallelism [μm]                  |                       | 50                    | 50           | 50           | 100          | 100          |
| Weight [kg]                       |                       | 1.0                   | 0.9          | 0.85         | 1.9          | 1.75         |



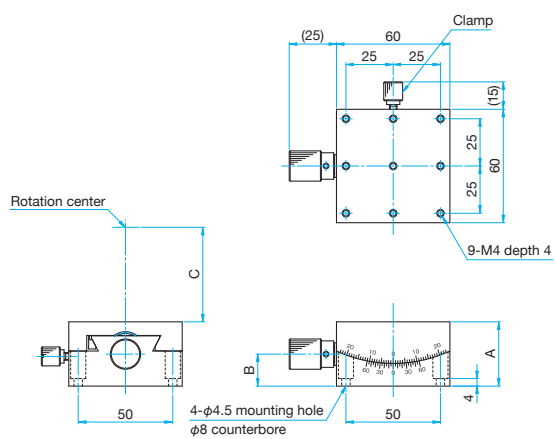
Outline Drawing

**GOH-60A\*\*** Hexagonal socket head cap screw M4x8...4 screws



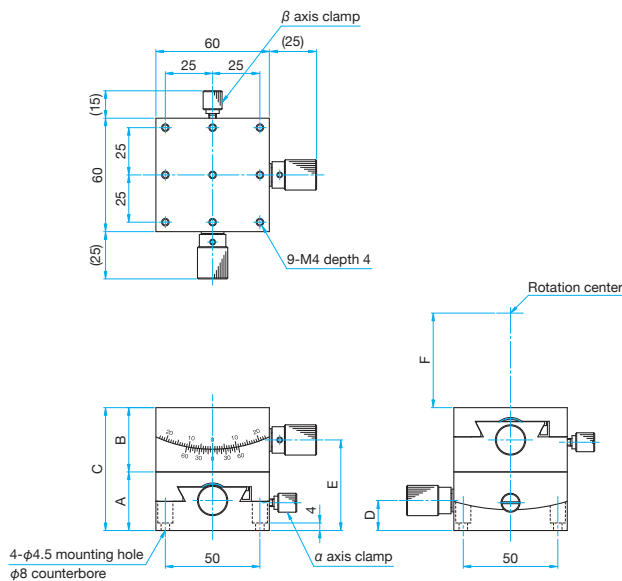
| Part Number | A (mm) | B (mm) | C (mm) |
|-------------|--------|--------|--------|
| GOH-60A50   | 34     | 16.9   | 50     |
| GOH-60A84   | 31     | 15.9   | 84     |
| GOH-60A115  | 24     | 10     | 115    |

**GOH-60A\*\*R** Hexagonal socket head cap screw M4x8...4 screws



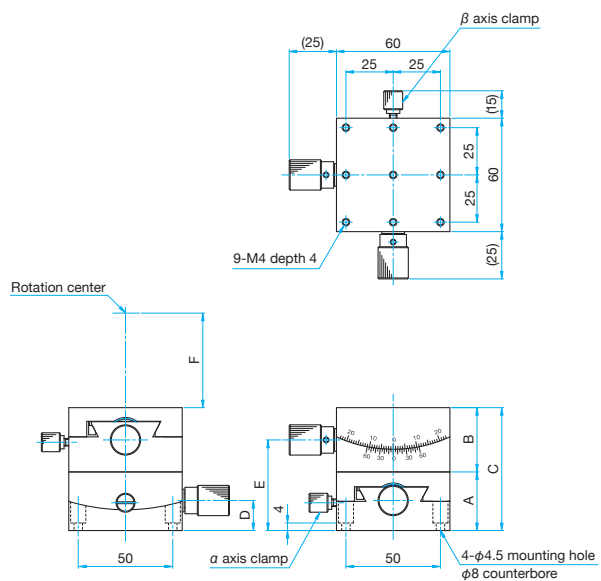
| Part Number | A (mm) | B (mm) | C (mm) |
|-------------|--------|--------|--------|
| GOH-60A50R  | 34     | 16.9   | 50     |
| GOH-60A84R  | 31     | 15.9   | 84     |
| GOH-60A115R | 24     | 10     | 115    |

**GOH-60B\*\*** Hexagonal socket head cap screw M4x8...4 screws



| Part Number | A (mm) | B (mm) | C (mm) | D (mm) | E (mm) | F (mm) |
|-------------|--------|--------|--------|--------|--------|--------|
| GOH-60B50   | 31     | 34     | 65     | 15.9   | 47.9   | 50     |
| GOH-60B84   | 24     | 31     | 55     | 10     | 39.9   | 84     |

**GOH-60B\*\*R** Hexagonal socket head cap screw M4x8...4 screws



| Part Number | A (mm) | B (mm) | C (mm) | D (mm) | E (mm) | F (mm) |
|-------------|--------|--------|--------|--------|--------|--------|
| GOH-60B50R  | 31     | 34     | 65     | 15.9   | 47.9   | 50     |
| GOH-60B84R  | 24     | 31     | 55     | 10     | 39.9   | 84     |

Application Systems

Optics & Optical Coatings

Opto-Mechanics

Bases

Manual Stages

Actuators & Adjusters

MotORIZED Stages

Light Sources & Laser Safety

Index

Guide

X Axis Stages

XY Axis Stages

Z Axis Stages

XZ Axis Stages

XYZ Axis Stages

Rotation Stages

Goniometer

Tilt Stages

Vacuum

Ball Bearing Guide

Crossed Roller

Dovetail

Lapping

V Groove Screw

Others

15 × 15 mm

25 × 25 mm

40 × 40 mm

60 × 60 mm

65 × 65 mm

80 × 80 mm

100 × 100 mm

120 × 120 mm

Others

# $\alpha$ Axis Goniometers –M6– $\alpha\beta$ Axis Goniometers –M6–

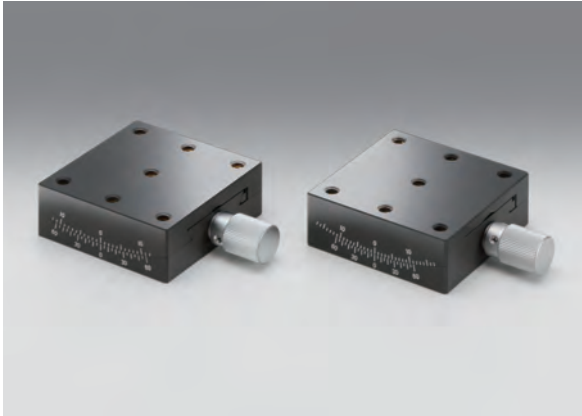
GOH-65A  
GOH-65B

Stage Size 65 × 65 mm

RoHS  
RoHS

Goniometers with dovetail slide and worm gear construction for angular adjustment of heavy loads.

- Vernier scales for reading angular position.
- Locking mechanism clamps dovetail to minimize movement.



### Attention

- ▶ Locking mechanism is operated using thumbscrew on side of stage.

Application Systems

Optics & Optical Coatings

Opto-Mechanics

Bases

Manual Stages

Actuators & Adjusters

MotORIZED Stages

Light Sources & Laser Safety

Index

Guide

X Axis Stages

XY Axis Stages

Z Axis Stages

XZ Axis Stages

XYZ Axis Stages

Rotation Stages

Goniometer

Tilt Stages

Vacuum

Ball Bearing Guide

Crossed Roller

Dovetail

Lapping

V Groove Screw

Others

15 × 15 mm

25 × 25 mm

40 × 40 mm

60 × 60 mm

65 × 65 mm

80 × 80 mm

100 × 100 mm

120 × 120 mm

Others

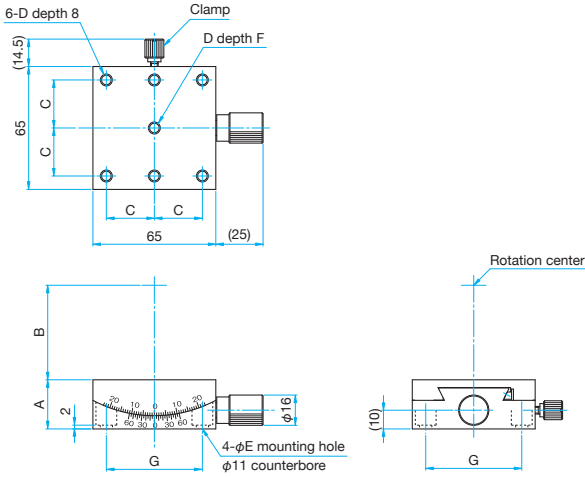
| Specifications                    |                       |                       |               |                |                    |               |
|-----------------------------------|-----------------------|-----------------------|---------------|----------------|--------------------|---------------|
| Part Number                       | METRIC                | GOH-65A50-M6          | GOH-65A76-M6  | GOH-65A100-M6  | GOH-65B50-M6       | GOH-65B76-M6  |
|                                   | INCH                  | GOH-65A50UU           | GOH-65A76UU   | GOH-65A100UU   | GOH-65B50UU        | GOH-65B76UU   |
| (Opposite Model)                  | METRIC                | GOH-65A50R-M6         | GOH-65A76R-M6 | GOH-65A100R-M6 | GOH-65B50R-M6      | GOH-65B76R-M6 |
|                                   | INCH                  | GOH-65A50RUU          | GOH-65A76RUU  | GOH-65A100RUU  | GOH-65B50RUU       | GOH-65B76RUU  |
| Stage Size [mm]                   |                       | 65×65                 | 65×65         | 65×65          | 65×65              | 65×65         |
| Axes of Travel                    |                       | $\alpha$ axis         |               |                | $\alpha\beta$ axis |               |
| Rotation Center Height [mm]       |                       | 50±0.1                | 76±0.1        | 100±0.1        | 50±0.1             | 76±0.1        |
| Angle Range [ ° ]                 | (Upper) $\beta$ axis  | —                     | —             | —              | ±20                | ±15           |
|                                   | (Lower) $\alpha$ axis | ±20                   | ±15           | ±10            | ±15                | ±10           |
| Vernier Readable Resolution       |                       | 5'                    | 5'            | 5'             | 5'                 | 5'            |
| Travel per Knob Rotation [ ° ]    | (Upper) $\beta$ axis  | —                     | —             | —              | about 1.16         | about 0.84    |
|                                   | (Lower) $\alpha$ axis | about 1.16            | about 0.84    | about 0.65     | about 0.84         | about 0.65    |
| Rotation Center Displacement [mm] |                       | φ0.1 or less          | φ0.1 or less  | φ0.1 or less   | φ0.1 or less       | φ0.1 or less  |
| Guide Method                      |                       | Dovetail slide method |               |                |                    |               |
| Primary Material                  |                       | Brass                 |               |                |                    |               |
| Finish                            |                       | Super black chrome    |               |                |                    |               |
| Load Capacity [N]                 |                       | 98 (10.0kgf)          | 98 (10.0kgf)  | 98 (10.0kgf)   | 98 (10.0kgf)       | 98 (10.0kgf)  |
| Max. Moment Capacity              | Pitch [N·m]           | 1.0                   | 1.0           | 1.0            | 1.0                | 1.0           |
|                                   | Roll [N·m]            | 1.5                   | 1.5           | 1.5            | 1.5                | 1.5           |
| Moment Stiffness                  | Roll [°/N·cm]         | 0.3                   | 0.3           | 0.3            | —                  | —             |
| Parallelism [μm]                  |                       | 50                    | 50            | 50             | 100                | 100           |
| Weight [kg]                       |                       | 0.88                  | 0.86          | 0.86           | 1.74               | 1.72          |



Outline Drawing

**GOH-65A\*\* -M6/GOH-65A\*\* UU**

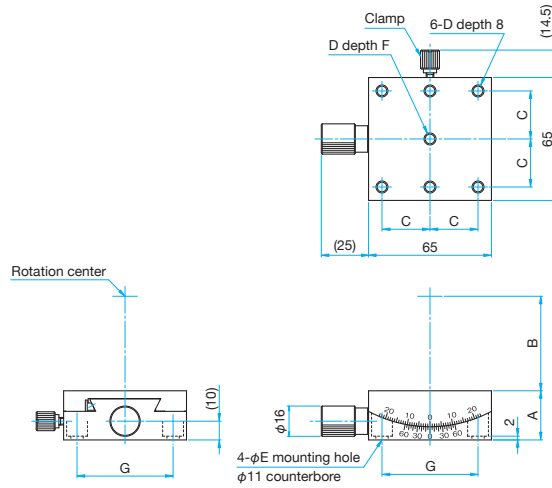
- Hexagonal socket head cap screw M6x8...4 screws (M6)
- Hexagonal socket head cap screw (stainless steel construction) 1/4-20UNCx5/16...4 screws (UU)



| Part Number   | A (mm) | B (mm) | C (mm) | D         | E (mm) | F (mm) | G (mm) |
|---------------|--------|--------|--------|-----------|--------|--------|--------|
| GOH-65A50-M6  | 26     | 50     | 25     | M6 P1     | φ6.5   | 8      | 50     |
| GOH-65A76-M6  | 24     | 76     | 25     | M6 P1     | φ6.5   | 6      | 50     |
| GOH-65A100-M6 | 24     | 100    | 25     | M6 P1     | φ6.5   | 6      | 50     |
| GOH-65A50UU   | 26     | 50     | 25.4   | 1/4-20UNC | φ7     | 8      | 50.8   |
| GOH-65A76UU   | 24     | 76     | 25.4   | 1/4-20UNC | φ7     | 6      | 50.8   |
| GOH-65A100UU  | 24     | 100    | 25.4   | 1/4-20UNC | φ7     | 6      | 50.8   |

**GOH-65A\*\* R-M6/GOH-65A\*\* RUU**

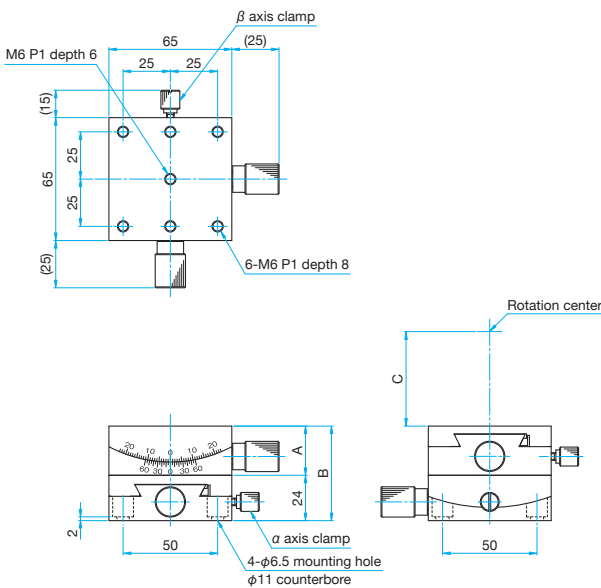
- Hexagonal socket head cap screw M6x8...4 screws (M6)
- Hexagonal socket head cap screw (stainless steel construction) 1/4-20UNCx5/16...4 screws (UU)



| Part Number    | A (mm) | B (mm) | C (mm) | D         | E (mm) | F (mm) | G (mm) |
|----------------|--------|--------|--------|-----------|--------|--------|--------|
| GOH-65A50R-M6  | 26     | 50     | 25     | M6 P1     | φ6.5   | 8      | 50     |
| GOH-65A76R-M6  | 24     | 76     | 25     | M6 P1     | φ6.5   | 6      | 50     |
| GOH-65A100R-M6 | 24     | 100    | 25     | M6 P1     | φ6.5   | 6      | 50     |
| GOH-65A50RUU   | 26     | 50     | 25.4   | 1/4-20UNC | φ7     | 8      | 50.8   |
| GOH-65A76RUU   | 24     | 76     | 25.4   | 1/4-20UNC | φ7     | 6      | 50.8   |
| GOH-65A100RUU  | 24     | 100    | 25.4   | 1/4-20UNC | φ7     | 6      | 50.8   |

**GOH-65B\*\* -M6/GOH-65B\*\* UU**

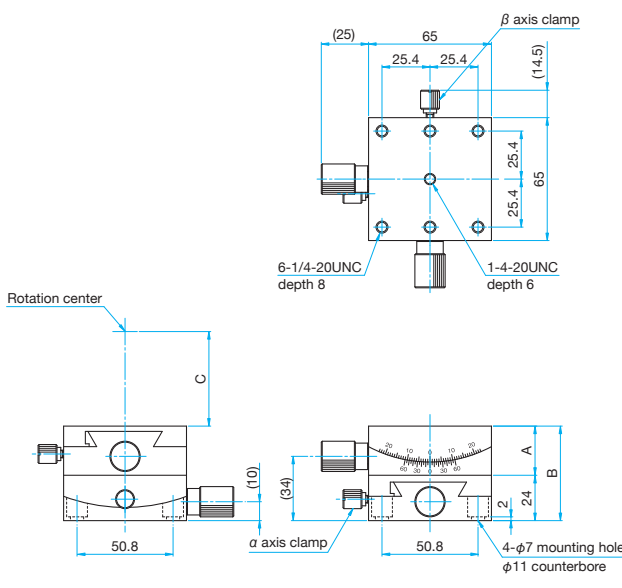
- Hexagonal socket head cap screw M6x8...4 screws (M6)
- Hexagonal socket head cap screw (stainless steel construction) 1/4-20UNCx5/16...4 screws (UU)



| Part Number  | A (mm) | B (mm) | C (mm) | D (mm) | E         | F (mm) | G (mm) | H (mm) |
|--------------|--------|--------|--------|--------|-----------|--------|--------|--------|
| GOH-65B50-M6 | 26     | 50     | 50     | 25     | M6 P1     | φ6.5   | 8      | 50     |
| GOH-65B76-M6 | 24     | 48     | 76     | 25     | M6 P1     | φ6.5   | 6      | 50     |
| GOH-65B50UU  | 26     | 50     | 50     | 25.4   | 1/4-20UNC | φ7     | 8      | 50.8   |
| GOH-65B76UU  | 24     | 48     | 76     | 25.4   | 1/4-20UNC | φ7     | 6      | 50.8   |

**GOH-65B\*\* R-M6/GOH-65B\*\* RUU**

- Hexagonal socket head cap screw M6x8...4 screws (M6)
- Hexagonal socket head cap screw (stainless steel construction) 1/4-20UNCx5/16...4 screws (UU)



| Part Number   | A (mm) | B (mm) | C (mm) | D (mm) | E         | F (mm) | G (mm) | H (mm) |
|---------------|--------|--------|--------|--------|-----------|--------|--------|--------|
| GOH-65B50R-M6 | 26     | 50     | 50     | 25     | M6 P1     | φ6.5   | 8      | 50     |
| GOH-65B76R-M6 | 24     | 48     | 76     | 25     | M6 P1     | φ6.5   | 6      | 50     |
| GOH-65B50RUU  | 26     | 50     | 50     | 25.4   | 1/4-20UNC | φ7     | 8      | 50.8   |
| GOH-65B76RUU  | 24     | 48     | 76     | 25.4   | 1/4-20UNC | φ7     | 6      | 50.8   |

Application Systems

Optics & Optical Coatings

Opto-Mechanics

Bases

Manual Stages

Actuators & Adjusters

MotORIZED Stages

Light Sources & Laser Safety

Index

Guide

X Axis Stages

XY Axis Stages

Z Axis Stages

XZ Axis Stages

XYZ Axis Stages

Rotation Stages

Goniometer

Tilt Stages

Vacuum

Ball Bearing Guide

Crossed Roller

Dovetail

Lapping

V Groove Screw

Ohters

15 × 15 mm

25 × 25 mm

40 × 40 mm

60 × 60 mm

65 × 65 mm

80 × 80 mm

100 × 100 mm

120 × 120 mm

Others