

## RSW Series Datasheet

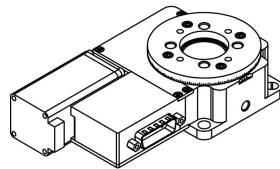
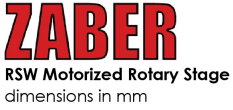


- Worm gear driven for continuous rotation
- Two lens holders allow for use as a polarizer mount
- Speed up to 75 rpm and torque up to 225 N-cm
- 23 mm aperture
- Designed for use with a X-MCB1 controller or can be used with any 2-phase stepper motor controller
- Custom versions available

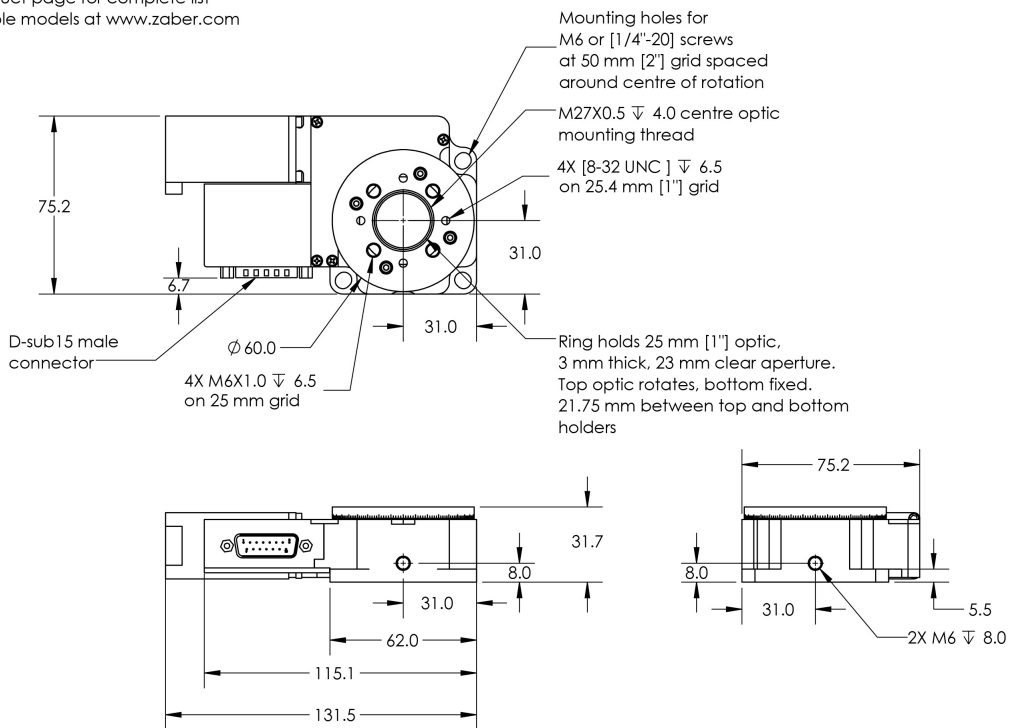
# Overview

Zaber's RSW precision motorized rotation stage is stepper motor and worm gear driven and capable of continuous rotation. RSW stages are designed for plug-and-play use with any of Zaber's controllers.

# Drawings



\*See product page for complete list of available models at [www.zaber.com](http://www.zaber.com)



DWG 1184 R01

## Specifications

Specification	Value	Alternate Unit
Built-in Controller	No	
Recommended Controller	X-MCB1 (48 V) Recommended	
Range	360 °	
Accuracy (unidirectional)	0.08 °	1.396000 mrad
Repeatability	< 0.02 °	< 0.349 mrad
Backlash	< 0.04 °	< 0.698 mrad
Encoder Type	None	
Maximum Centered Load	200 N	44.9 lb
Maximum Cantilever Load	410 N-cm	580.6 oz-in
Stage Top Dimension	60 mm	2.362 "
Motor Type	Stepper (2 phase)	
Motor Rated Current	1500 mA/phase	
Motor Winding Resistance	2.05 ohms/phase	
Inductance	1 mH/phase	
Motor Connection	D-sub 15	
Mechanical Drive System	Precision Worm Gear	
Limit or Home Sensing	Magnetic home sensor	
Vacuum Compatible	No	
RoHS Compliant	Yes	
CE Compliant	Yes	
Weight	0.62 kg	1.367 lb

Part Number	Microstep Size (Default Resolution)	Maximum Speed	Minimum Speed	Maximum Continuous Torque
RSW60C-T3	0.0009375 ° (16.362 µrad)	450 °/s (75.0 rpm)	0.000572 °/s (9.983 µrad/s)	105 N-cm (148.7 oz-in)
RSW60A-T3	0.000234375 ° (4.091 µrad)	115 °/s (19.2 rpm)	0.000143 °/s (2.496 µrad/s)	225 N-cm (318.6 oz-in)

Part Number	Angular Motion Per Motor Rev
RSW60C-T3	12 °

Part Number

Angular Motion Per Motor Rev

RSW60A-T3

3 °

### Charts

#### Torque Speed Performance

