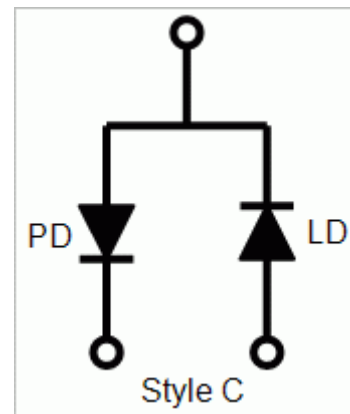


1224C LaserSource Cable, TO-Can, Type C, 2 m



The 1224C LaserSource Cable is designed for use with the Micro 5.6 and Micro 9.0 LaserMounts and Type C TO-can lasers, where the laser cathode is common with the photodiode anode, as shown in the diagram below.



Specifications

Instrument connection	DB-9, male
Mount connection	TO-can socket, Type C pin-out
Signal connections	LD anode and cathode PD anode and cathode
Interlock	Shorted at instrument connector
Current rating (A)	3
Length (m)	2
Hood construction	Metal