

# MLRL

## Coherent and Modulated Laser for LIDAR

### Applications

- ▶ Wind measurement, pollution detection,
- ▶ Long Range Finding, Coherent detection,
- ▶ LIDAR, LIDAR-DIAL, Pulse shaping modulation

### Features

- ▶ High Peak Powers (>200 Watts)
- ▶ 10 KHz Laser Line width, Linear Polarization
- ▶ Long pulses, to 200 ns; and High pulse energies

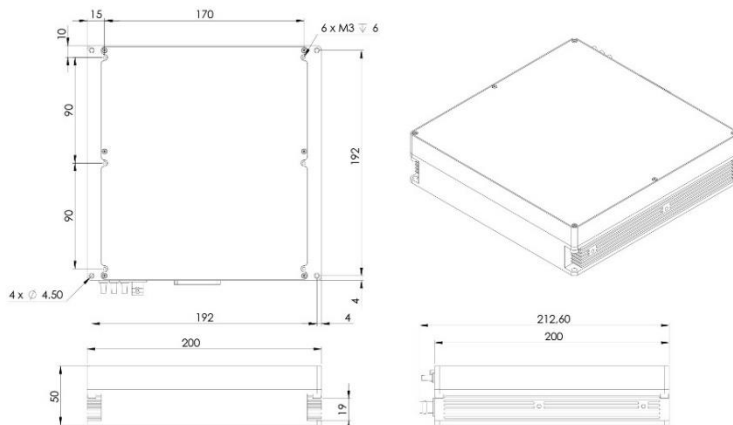


### Parameter

### Parameter Range

Parameter	Parameter Range
Center Wavelength	[nm] 1540 ... 1560
Wavelength Drift	[pm/°C] 0.1
Laser Peak power	[W] 150
Laser Output Power, average	[W] 2
Pulse Width	[ns] 50 ... 300
Repetition rate	[kHz] 20 ... 500
Pulse Timing	External trigger, TTL
Polarization	Linear
Mechanical Dimensions	[mm] 200x200x50
Operating Case Temperature	[°C] 0...+70
Output Fiber length	[cm] 30
Output Termination	SC/APC, FC/APC, Collimator
Power Supply Voltage	[VDC] 24
Power Consumption	[W] 150
Communication Interface	RS-232

### Mechanical Dimensions



### Ordering Information

Custom variants are available upon request, please contact our customer service to discuss your specification requirements.

Evaluation board available on request



Specifications are subject to change without notice