

HFL

1550nm High Power Pulsed Fiber Laser

Applications

- ▶ Distance measurement
- ▶ Lidar / 3D Scanning
- ▶ Test & Measurement

Features

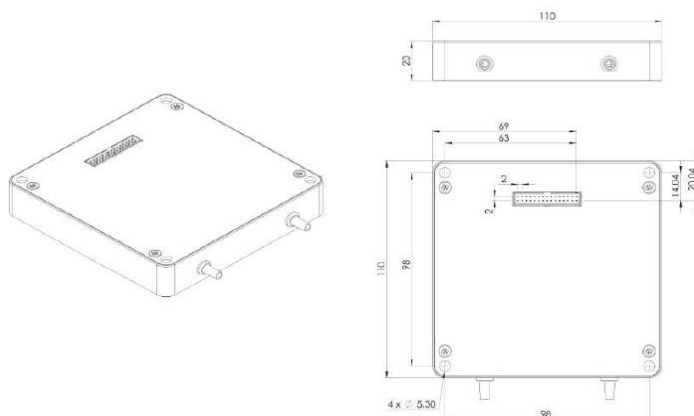
- ▶ High Output Power, up to 4W
- ▶ Compact Package (110 x 110 x 20 mm)
- ▶ Low Power Consumption



Parameter

		Parameter Range
Center Wavelength	[nm]	1540 ... 1560
Wavelength Drift	[nm/°C]	0.1
Laser Peak power	[kW]	Up to 5
Laser Output Power, average	[W]	Up to 4
Pulse Width	[ns]	0.4 ... 50
Pulse Energy	[μJ]	50
Repetition rate	[kHz]	10 ... 2000
Pulse Timing		External trigger, TTL
Polarization		Random / Linear
Mechanical Dimensions	[mm]	110x110x20
Operating Case Temperature	[°C]	-5...+65
Output Fiber length	[cm]	30
Output Termination		SC/APC, FC/APC, Collimator
Power Supply Voltage	[VDC]	+5 / +12
Power Consumption	[W]	150
Communication Interface		RS-232

Mechanical Dimensions



Ordering Information

Custom variants are available upon request, please contact our customer service to discuss your specification requirements.

Evaluation board available on request



Specifications are subject to change without notice

HFL-1

1 μm Band High Power Pulsed Fiber Laser

Applications

- ▶ Distance measurement Airborne LIDAR
- ▶ 3D Scanning
- ▶ Test & Measurement

Features

- ▶ High peak power, up to 25kW
- ▶ Compact Package
- ▶ Low Power Consumption

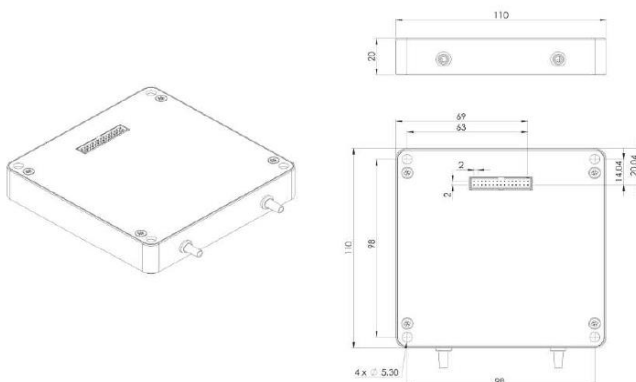


Parameter

Parameter Range

Parameter	Parameter Range
Center Wavelength	[nm] 1030 / 1053 / 1064 ... 1100
Wavelength Drift	[nm/°C] 0.1
Laser Peak power	[W] Up to 25
Laser Output Power, average	[W] Up to 5
Pulse Width	[ns] 0.4 ... 10
Pulse Energy	[μJ] Up to 150
Repetition rate	[kHz] 10 ... 500
Pulse Timing	External trigger, TTL
Polarization	Random / Linear
Mechanical Dimensions	[mm] 110x110x20
Operating Case Temperature	[°C] -5...+65
Output Fiber length	[cm] 30
Output Termination	SC/APC, FC/APC, Collimator
Power Supply Voltage	[VDC] +12 / +24
Power Consumption	[W] <50
Communication Interface	RS-232

Mechanical Dimensions



Ordering Information

Custom variants are available upon request, please contact our customer service to discuss your specification requirements.

Evaluation board available on request



Specifications are subject to change without notice